



EZIBOX



The Smart heat pump solution for single water pump systems

- ✓ Easy installation
- ✓ Simple set & forget operation
- ✓ Single water pump configuration
- ✓ Eliminates water balance issues

EZIBOX INSTALLATION GUIDE

IMPORTANT: A licenced electrician is required to install the EZIbox controller. Please read this instruction manual prior to installation.

- Ensure power is disconnected from all equipment during installation or service of the EZIbox.
- Always comply with the national and local electrical codes and standards.
- Heat pump and pool equipment **mains power must be installed on same electrical circuit.**

*NOTE: (The **total amps required** must include the pool heat pump and all the pool equipment)*

EZIBOX CONNECTIONS

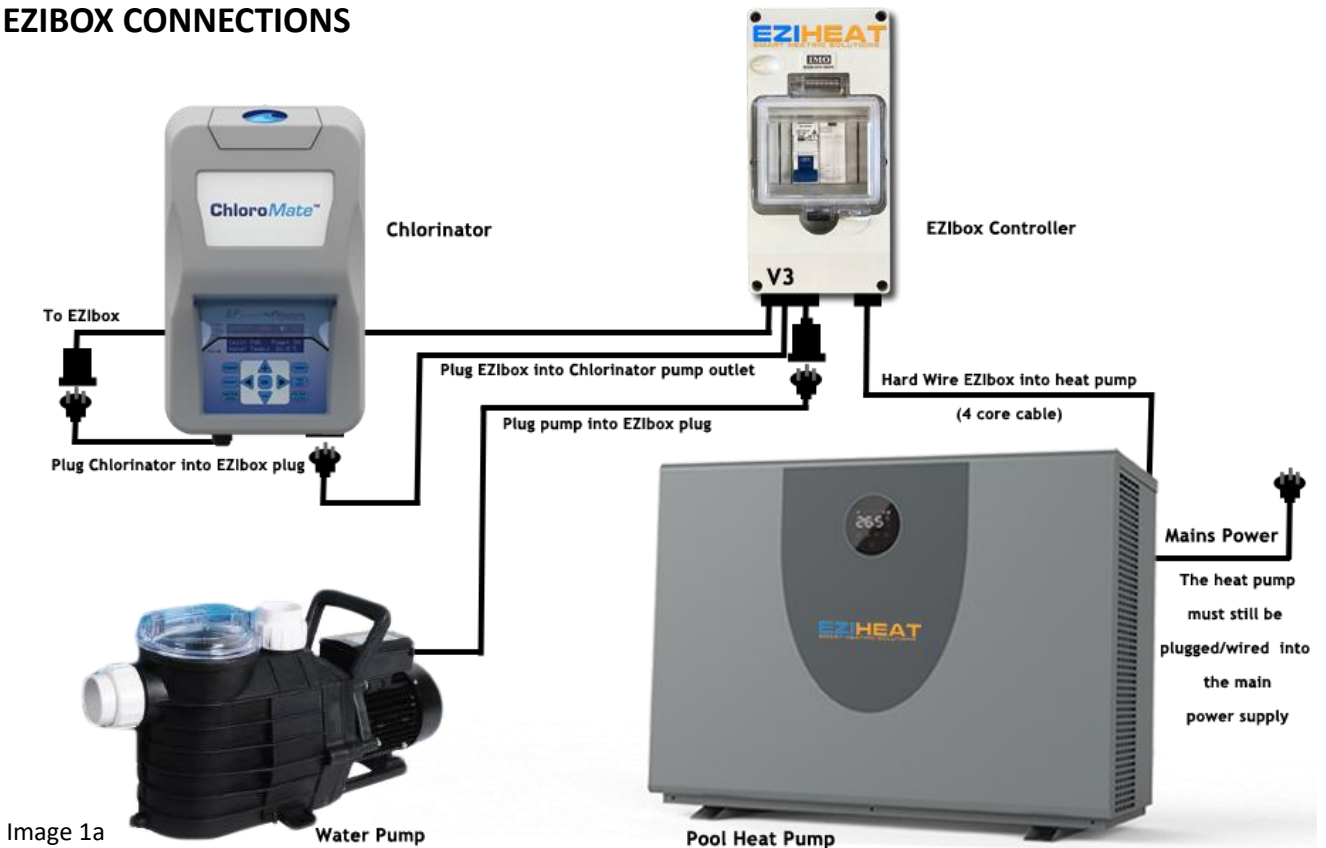


Image 1a

EZIBOX HEAT PUMP WIRING

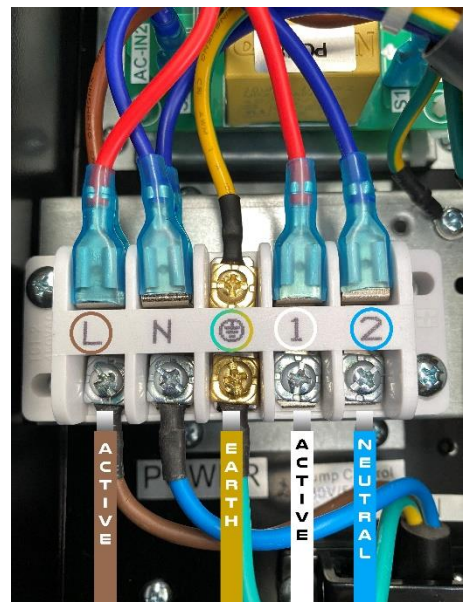
Your heat pump mains power cable comes already connected to L, N and Earth on the mains input terminals as per the image, right.

Wiring EZIBOX connections as per the image 1b. The four-core cable must be wired up as follows:

- Connect brown wire to L terminal
- Connect green/yellow wire to – Earth terminal
- Connect white wire to – 1 terminal
- Connect blue wire to – 2 terminal

PLEASE NOTE: This wiring diagram is for EZIHEAT heat pumps. Consult with an electrician or your heat pump manufacturer for wiring installations for other branded heat pumps.

Image 1b



EZIHEAT heat pump wiring diagram

EZIBOX POOL CONFIGURATION

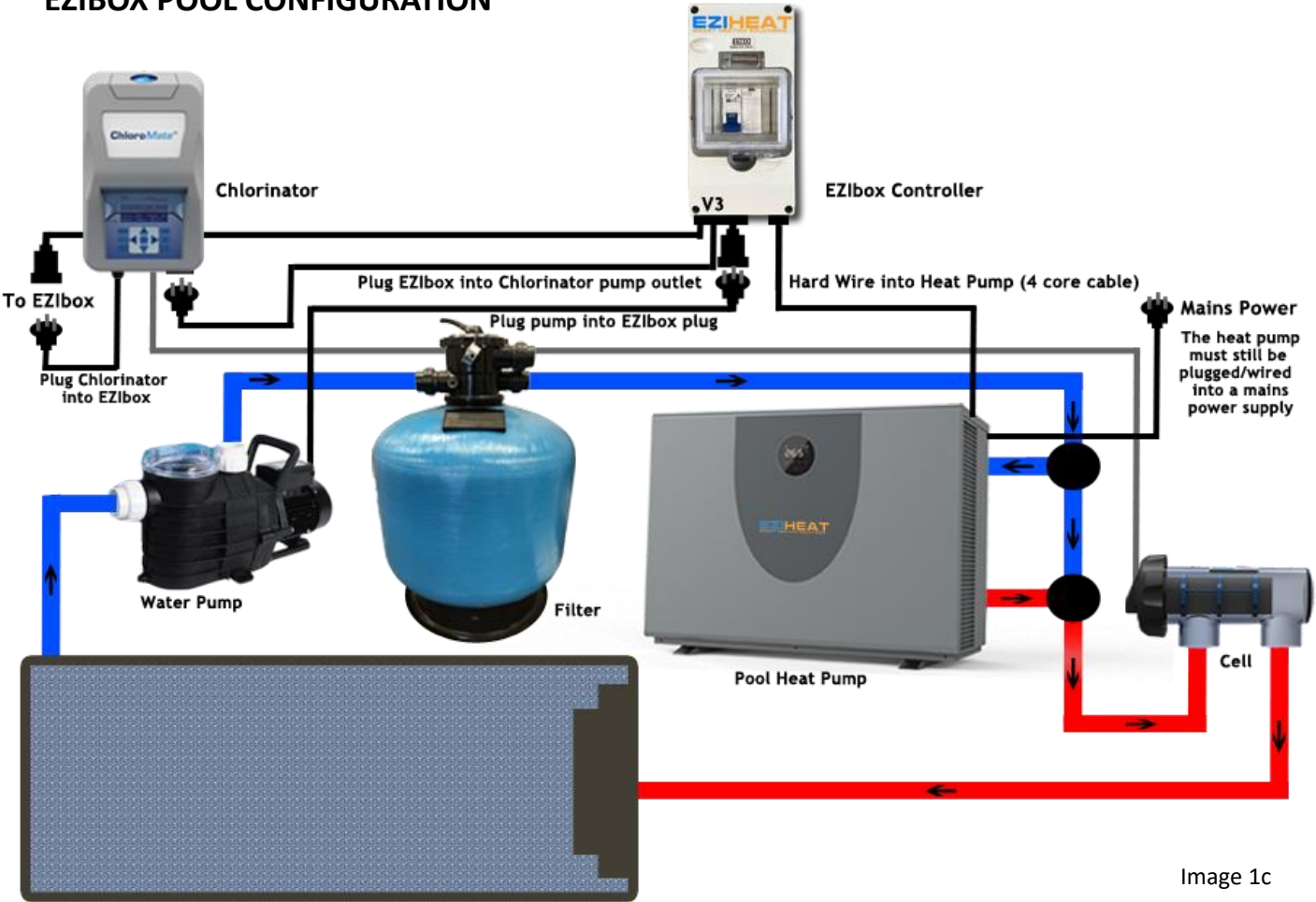


Image 1c

There's no smarter way to heat your pool or spa!

EZIHEAT is a 100% local West Australian owned and operated company that specialises in pool and spa heat pumps. EZIHEAT heat pumps are state-of-the-art in design and functionality. With key features - patented Inverpad technology, stepless DC inverter system, twin-rotary Mitsubishi compressor, soft starter with EEV technology, super quiet 40db operation, built-in Wifi and all housed in a anti-rust anti-UV aluminium casing, its easy to see why EZIHEAT is the heat pump of choice.

The EZIHEAT EZIbox comes with a 1 year warranty.

